

EN

BOX & TAPS



blupura

ALWAYS COOLER

BOX & TAPS



OUR RANGE OF UNDERCOUNTER SOLUTIONS AND TAPS:
ENDLESS POSSIBILITIES OF COMBINATION

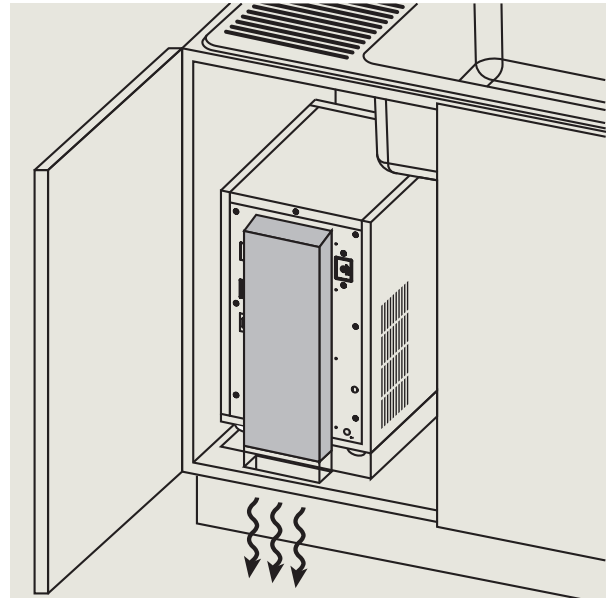
This is the most favored solution among designers because the cooler can be hidden under the counter or in other spaces, optimizing both the space and style of the surroundings, leaving only the dispensing point visible.

At home and in the office, in bars, restaurants, and... everywhere! Blupura BOX models can be connected with either taps or advanced dispensing heads, thus making them the perfect solution for those seeking high performance and advanced functionality in a compact solution, yet preferring to "hide" the core of the dispenser for space or style reasons. Now also available in the Osmo version of the Blusoda Box 30 Fizz model for even purer water, thanks to RO membranes.





It is there but not seen. Choosing a BOX solution not only offers space advantages but also the option to choose the most suitable tap for every context.



Blusoda BOX models include a conveyor for warm air expulsion through a single opening, enabling optimal heat dissipation and space optimization.



Choosing to connect a BOX undercounter cooler to the tap is the ideal solution when space is limited. The Blupura BOX & TAPS range is so extensive that it satisfies every need, both in terms of performance and style.



The choice of a BOX cooler can also be driven by water distribution needs in specific installations. In addition to being used individually, many Blupura taps can be connected in series to a single centralized unit and provide the water you need at different dispensing points, even on different floors of the same building.

EVERY POWER FOR EVERY NEED: ALL BLUPURA UNDERCOUNTER SOLUTIONS

Blupura BOX models feature different technologies and performance, and they are designed to offer continuous dispensing capacity for every type of water (still and sparkling, at room temperature, cold, and hot).

Impeccably built in stainless steel to operate "behind the scenes" Blupura BOX coolers discreetly and functionally fit inside any kitchen cabinet, in the furnishings of office break areas, in hotel technical rooms, on bar counters, in restaurants, and in canteens. The Fizz undercounter versions are equipped with the best stainless steel professional carbonators. In models with high cooling capacities, the recirculation pump can be used to optimize multiple installations even at a distance.



PICCOLA BOX 15



BLUSODA BOX 30 - BLUSODA BOX 30 OSMO



BLUSODA BOX 45



BOX 60



BOX 80



BOX 100



BOX 150



BOX 280



Fizz



Ambient



Cold






Hot



Weight













Dimensions

	Lt./h	Fizz	Ambient	Cold	Hot	Weight [kg]	W x D x H [mm]
Piccola Box 15	15		•	•		15	240 x 400 x 419
Piccola Box 15 Fizz	15	•	•	•		17,7	240 x 400 x 419
BluSoda Box 30	30		•	•		21	260 x 416 x 416
BluSoda Box 30 Fizz	30	•	•	•		24	260 x 416 x 416
Blusoda Box Osmo 30 Fizz	30	•	•	•		27	260 x 416 x 416
BluSoda Box Hot 30	30		•	•	•	24	260 x 416 x 416
BluSoda Box Hot 30 Fizz	30	•			•	26	260 x 416 x 416
BluSoda Box Super Hot 30*	30		•	•	•	24	260 x 416 x 416
BluSoda Box Super Hot 30 Fizz*	30	•			•	26	260 x 416 x 416
 BluSoda Box 45	45		•	•		25	318 x 440 x 468
BluSoda Box 45 Fizz	45	•	•	•		31	318 x 440 x 468
BluSoda Box Hot 45	45		•	•	•	29	318 x 440 x 468
BluSoda Box Hot 45 Fizz	45	•			•	32	318 x 440 x 468
 Box 60	60		•	•		19	318 x 335 x 467
Box 60 Fizz	60	•	•	•		22	318 x 335 x 467
Box Hot 60	60		•	•	•	22	318 x 335 x 467
Box Hot 60 Fizz	60	•			•	24	318 x 335 x 467
Box 80	80		•	•		23	320 x 472 x 564
Box 80 Fizz	80	•	•	•		29	320 x 472 x 564
Box 80 Plus Fizz	80	•	•	•		29	320 x 472 x 564
Box 100	100		•	•		40	340 x 513 x 517
Box 100 Fizz	100	•	•	•		42	340 x 513 x 517
Box 150	150		•	•		28	474 x 506 x 608
Box 150 Fizz	150	•	•	•		33	474 x 506 x 608
 Box 280	280		•	•		78	579 x 791 x 812
Box 280 Fizz	280	•				83	579 x 791 x 812

* It can be combined only with Buglass Tower Super Hot models

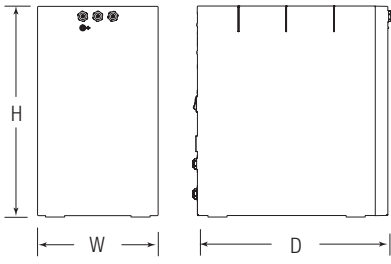
OPTIONAL EXTRAS

In-line filters		Filter + Head		Water pressure reducer
		UVC Led In		CO ₂ pressure reducer with 2 pressure gauges (only for Fizz models)
Pump		Recirculation pump (comes as standard on the 280 Lt/h. versions and on the BOX 80 Plus Fizz), optional on the BOX 80Lt/h. and 150Lt/h.		Incremental digital litre-counter 6000R
	Other		Bluprotection	
		Water Block (essential for proper installation)		Mechanical litre-counter

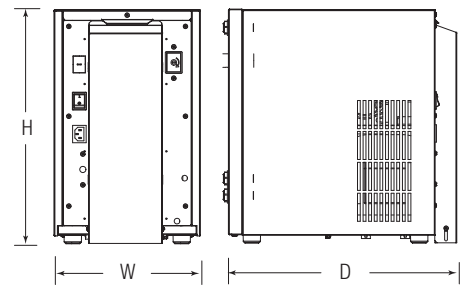


TECHNICAL PROFILE	Piccola Box	BluSoda Box							Box						
	15 Fizz	30 Fizz	Osmo 30 Fizz	Hot 30 Fizz	Super Hot 30 Fizz	45 Fizz	Hot 45 Fizz	Super Hot 45 Fizz	60 Fizz	Hot 60 Fizz	80 Fizz	80 Plus Fizz	100 Fizz	150 Fizz	280 Fizz
Cooling capacity [Lt/h.]	15	30	30	30	30	45	45	45	60	60	80	80	100	150	280
Power supply	230 V - 50 Hz														
Pump	Membrane carbonation pump										Rotary carbonation pump				
Cooling technology	BDC	Dry Cooling							Ice Bank Single coil			Ice Bank Double coil	Dry Cooling	Ice Bank Double coil	
Ice bank capacity [Lt]	-	-	-	-	-	-	-	-	7	7	14	14	-	18	90
Ice bank [Kg]	-	-	-	-	-	-	-	-	3	5	5	5	-	8	35
Cooling	Forced ventilation														
Max. hot water temperature	-	-	-	95°C	96°C +/-2%	-	95°C	96°C +/-2%	-	95°C	-	-	-	-	-
Hot water tank [lt.]	-	-	-	1	1	-	1	1	-	1	-	-	-	-	-
Power consumption [W]	110	280	280	1200	1200	360	1560	1285	300	1210	505	505	600	875	1265
Max. absorption [A]	0,75	1,45	1,45	5,2	5,2	1,85	7,05	5,8	1,3	5,25	2,2	2,2	4	3,8	5,5
Materials	Parts made of robust stainless steel and ABS plastic	Parts made of robust stainless steel													

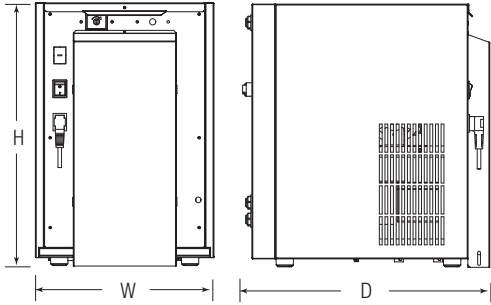
Piccola Box 15



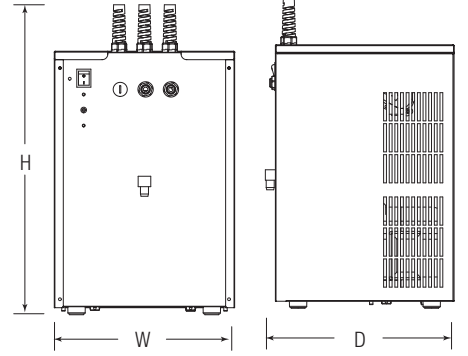
Blusoda Box 30 - Blusoda Box Osmo 30 Fizz - Blusoda Box Hot 30 - Blusoda Box Super Hot 30



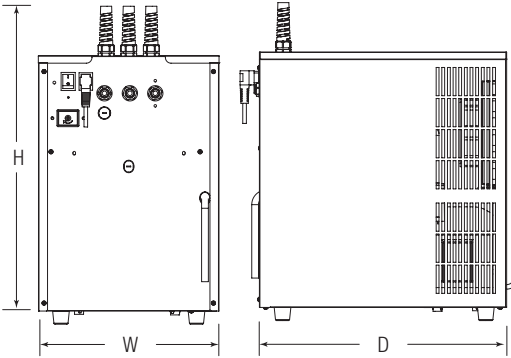
Blusoda Box 45 - Blusoda Box Hot 45



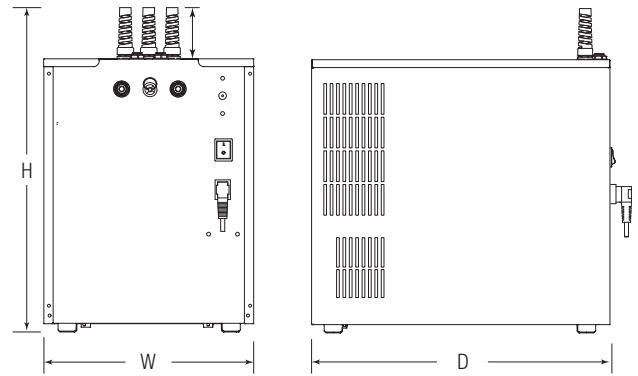
Box 60 - Box Hot 60



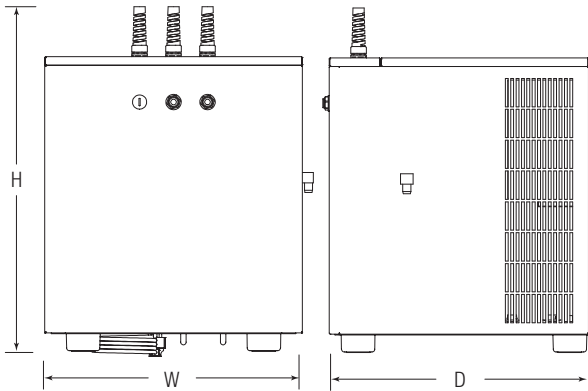
Box 80



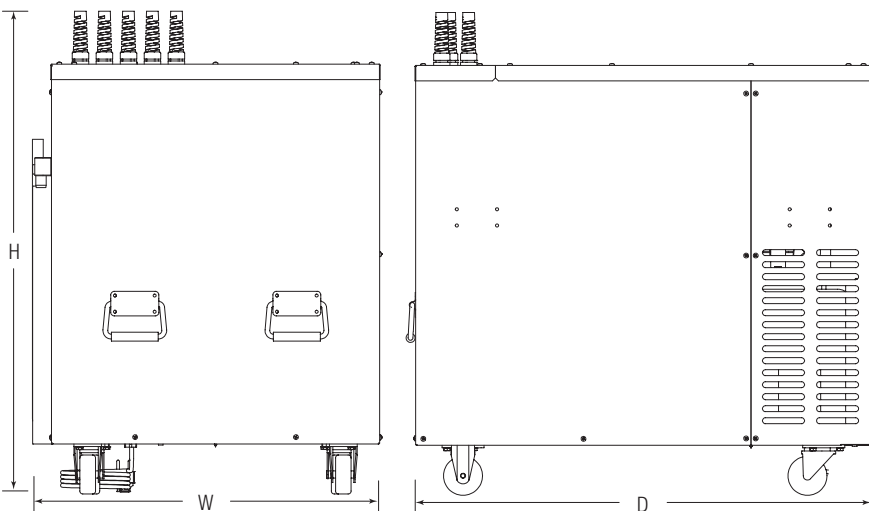
Box 100



Box 150



Box 280



WHICH TAP TO CHOOSE?

Choosing an original Blupura dispensing head guarantees unique construction quality and design in every usage context, long-term reliability, and advanced technology rich in features. Naturally, there are solutions for those who prefer mechanical taps.



bluseven



Touch
Screen



Stainless
Steel

MODERN DESIGN
AND HIGH TECHNOLOGY,
WITH 7 DIFFERENT
DISPENSING OPTIONS.

Design, unrivalled build quality, high performance and high technology, perfect for integrating with other units in the kitchen, BluSeven is a 7-way dispenser.

5 are dedicated to filtered water: room temperature, cold still, cold slightly sparkling, cold sparkling, hot (with safety control); 2 are for non-filtered water - hot and cold.



BLU Tower



THE PERFECT COMBINATION
OF STYLE AND PERFORMANCE.

A professional tap for those who love
design but have limited space available.

Complete with portion control and made entirely from stainless steel (including the buttons), it can be combined with any type of undercounter model. It dispenses two types of water: cold still and sparkling, or cold water and room-temperature water.



bluglass Tower



Portion control



Energy Saving



Inox Touch



Stainless Steel



Glass

THIS IS THE TAP FOR THOSE WHO WANT BEAUTY AND UNBEATABLE PERFORMANCE IN THE SMALLEST POSSIBLE SPACE.

Tempered glass, high-quality stainless steel, and the unmistakable elegance of the Bluglass line...all in one tap!

Two models, tailored for different purposes, stand out for their design and win over with their performance. The Bluglass Tower, featuring two dispensing points, is the ideal solution for the hospitality industry, while the Bluglass Tower One is perfect for office settings.

The standard drip tray is ready for drainage connection without the need for additional holes.



FONTEMAGNA BRIDGE I.T.



THE FIRST BLUPURA'S DISPENSING HEAD
COMBINES PRACTICALITY AND EFFICIENCY.
IT CAN BE COMBINED WITH
ALL UNDERCOUNTER MODELS.

The ideal choice for the hospitality world.

Connected to the undercounter box, which can also be installed up to a maximum distance of 6 metres, it offers the same features as a large floorstanding cooler. The drip tray comes as standard.

The 3X version features three outlets for the simultaneous dispensing of ambient water, making it perfect for efficient room service.



WALL



A UNIQUE AND INNOVATIVE DESIGN FOR THE WALL-MOUNTED DISPENSER, CONNECTABLE INDIVIDUALLY OR IN SERIES.

Maximum elegance and functionality for offices, residences, high-end apartments, and condominiums. Made of stainless steel and anodized aluminum.

Perfect for schools, hospitals, and any situation where floorstanding coolers cannot be installed due to safety or hygiene reasons. Available with 1 or 2 stainless steel dispensing buttons or in the "touch-free" version. The Zero model is completely mechanical and therefore does not require electrical power. In the 1P version (one button for room temperature water), it can internally integrate a Blutron Micro 7K, Blutron Shield 7K or Blutron Hero 10K filter. The 2-button version dispenses room temperature and either chilled or sparkling water, by connecting to an external unit with the option of installing the filter upstream.



T•Flow



Beer Tap



Stainless Steel

THE ORIGINAL BLUPURA MECHANICAL TAP...
IS DIFFERENT!

Unique design and functional features on the market, a minimal and modern aesthetic, four colors, and many possibilities.

T-flow is a state-of-the-art mechanical tap, equipped with a flow reducer and a self-closing spring system. Its design is compact and elegant, featuring a tubular structure made of AISI 304 stainless steel (D.50mm) and treated with a double coat of durable powder paint to resist impacts and scratches.





Compared to other taps on the market, the T-flow features an internal water flow recirculation system that keeps the pathways cool up to the dispensing point, optimizing performance.



There are three types of taps in the range: the T-flow 1W with one dispensing point, the T-flow 2W with two dispensing points (chilled, sparkling), and the T-flow 3W with three dispensing points (chilled, ambient, sparkling).



The medallions with simple and intuitive graphics identifying the type of dispensed water come as standard.



Elegance and many colour-matching possibilities with the furniture and style of the environment: T-flow is available in a selection of matte black, white, bronze, or polished stainless steel finishes.

OTHERS MECHANICAL TAPS

No problem for those who prefer more traditional taps: all mechanical models can be connected to any BOX, and it is Blupura technology that ensures maximum functionality.



C2 A
2-way column tap



C3 A
3-way column tap



C2 P
2-way column tap



C3 P
3-way column tap



T1
1-way tap



T3
3-way column tap



T5
5-way tap - 2 ways for hot and cold unfiltered water
and 3 ways for filtered water



JOYSTICK
3-way column tap



Fizz



Medium



Ambient



Cold



Hot



Portion Control

Dispensing
area

Weight



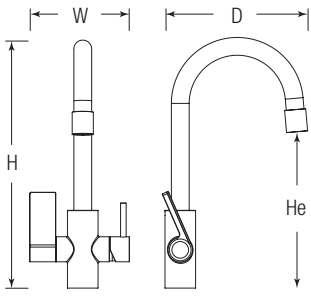
Dimensions

	Fizz	Medium	Ambient	Cold	Hot	Portion Control	Dispensing area	Weight	Dimensions
							He [mm]	[kg]	W x D x H [mm]
BluSeven Fizz	•	•	•	•			284	5,9	180 x 306 x 455
BluSeven Hot Fizz							284	5,9	180 x 306 x 455
BLU TOWER 2 pulsanti	•			•		Optional	322	8	140 x 140 x 574
BLU TOWER 3 pulsanti	•		•	•		Optional	322	8	140 x 140 x 574
BLU TOWER MIX	•	•		•			322	8	140 x 140 x 574
BLU TOWER HOT Fizz	•			•	•		322	8	140 x 140 x 574
BLU TOWER BLACK 2 push buttons	•			•		Optional	322	8	140 x 140 x 574
BLU TOWER BLACK 3 push buttons	•		•	•		Optional	322	8	140 x 140 x 574
BLU TOWER BLACK MIX	•	•		•			322	8	140 x 140 x 574
BLU TOWER BLACK HOT			•	•	•		322	8	140 x 140 x 574
BLU TOWER BLACK HOT Fizz	•			•	•		322	8	140 x 140 x 574
BLUGLASS Tower ONE 2W	•			•		Optional	260	6	142 x 209 x 455
BLUGLASS Tower ONE 3W	•		•	•		Optional	260	6	142 x 209 x 455
BLUGLASS Tower ONE Hot	•			•	•		260	6	142 x 209 x 455
BLUGLASS Tower ONE Super Hot *	•			•	•		260	6	142 x 209 x 455
BLUGLASS Tower 2W	•			•		Optional	319	8	227 x 209 x 514
BLUGLASS Tower 3W	•		•	•		Optional	319	8	227 x 209 x 514
BLUGLASS Tower Hot	•			•	•		319	8	227 x 209 x 514
BLUGLASS Tower Super Hot *	•			•	•		319	8	227 x 209 x 514
Fontemagna Bridge I.T.	•		•	•		•	306	15	360 x 290 x 605
Fontemagna Bridge I.T. 3X			•			•	306	15	360 x 290 x 605
WALL 1 push button				•			290	7	273 x 114 x 900
WALL 2 push buttons	•			•			290	7	273 x 114 x 900
WALL Touch Free				•			290	7	273 x 114 x 900
WALL Zero 1P			•				290	6	273 x 114 x 900
WALL Zero 2P			•	•			290	6	273 x 114 x 900
WALL Zero 2P Fizz	•			•			290	6	273 x 114 x 900
WALL BUILT IN 1 pulsante				•			285	7	306 x 110 x 545
WALL BUILT IN 2 pulsanti	•			•			285	7	306 x 110 x 545
T-Flow 1W white							300	5	89 x 209 x 511
T-Flow 1W black							300	5	89 x 209 x 511
T-Flow 1W bronze							300	5	89 x 209 x 511
T-Flow 1W steel							300	5	89 x 209 x 511
T-Flow 2W white							300	5,5	180 x 201 x 511
T-Flow 2W black							300	5,5	180 x 201 x 511
T-Flow 2W bronze							300	5,5	180 x 201 x 511
T-Flow 2W steel							300	5,5	180 x 201 x 511
T-Flow 3W white							300	6	309 x 209 x 511
T-Flow 3W black							300	6	309 x 209 x 511
T-Flow 3W bronze							300	6	309 x 209 x 511
T-Flow 3W steel							300	6	309 x 209 x 511
C2 A							295	5	145 x 230 x 474
C2 P							277	5	145 x 199 x 500
C3 A							295	8	251 x 255 x 470
C3 P							285	8	210 x 199 x 500
T1							183	0,52	44 x 174 x 292
T3							250	0,9	50 x 180 x 300
T5							267	3,2	182 x 243 x 356
JOYSTICK							243	2,4	100 x 100 x 402

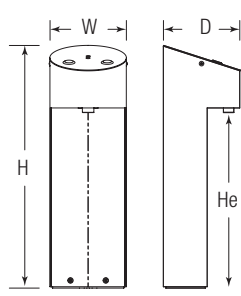
*It can be combined only with Box Super Hot

TECHNICAL PROFILE	Bluseven	Wall	Blutower 3 P Blutower Mix Blutower Hot Blutower Black 3P Blutower Black Mix Blutower Black Hot	Blutower 2 P Blutower Black 2P	Bluglass Tower Bluglass Tower One	Fontemagna Bridge I.T.
Power supply	230 V - 50 Hz	230 V - 50 Hz	230 V - 50 Hz	230 V - 50 Hz	230 V - 50 Hz	230 V - 50 Hz
Power consumption [W]	29	18,4	35	27	30	50
Max. absorption [A]	0,19	0,08	0,15	0,18	0,19	0,2
Materials	Stainless steel AISI 304	Robust stainless steel and aluminum parts	Robust stainless steel	Robust stainless steel	Robust stainless steel and tempered glass	Robust stainless steel and aluminum parts

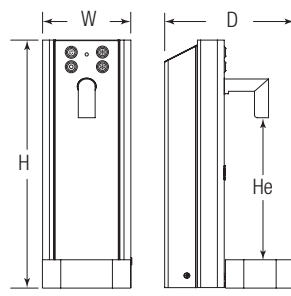
BluSeven Fizz



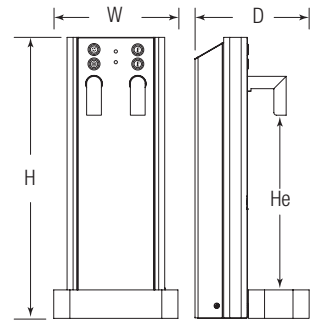
BluTower



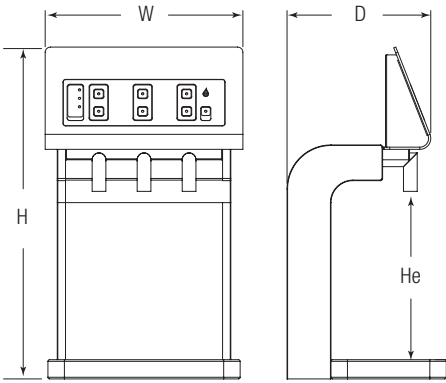
BluGlass Tower One



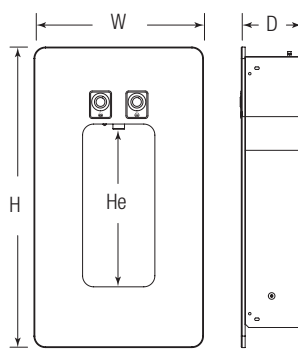
BluGlass Tower



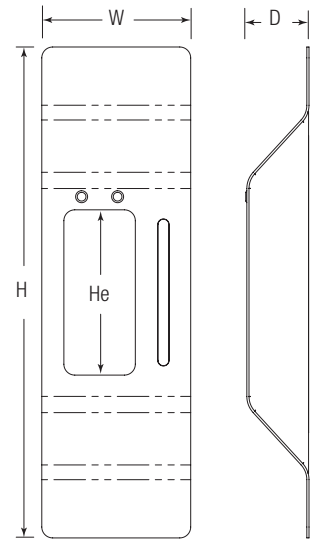
Fontemagna Bridge I.T.



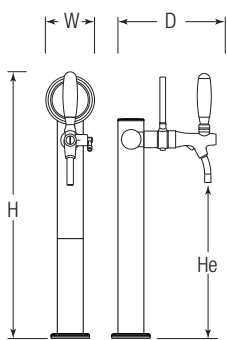
Wall Built In



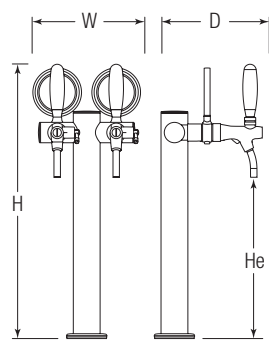
Wall - Wall Zero



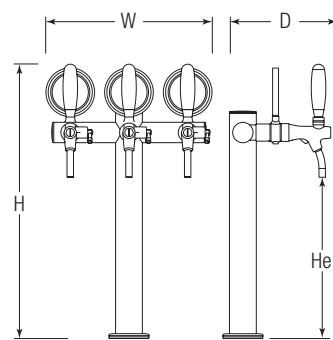
T-Flow 1W



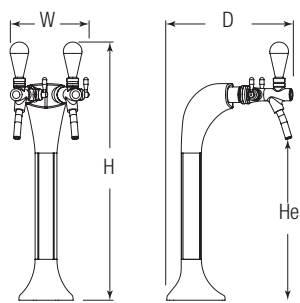
T-Flow 2W



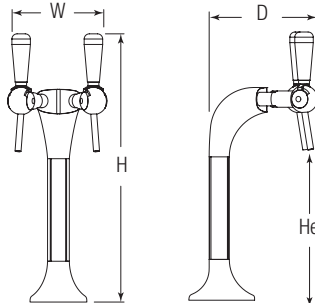
T-Flow 3W



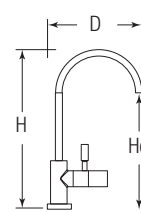
C2 A



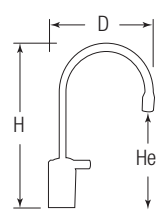
C2 P



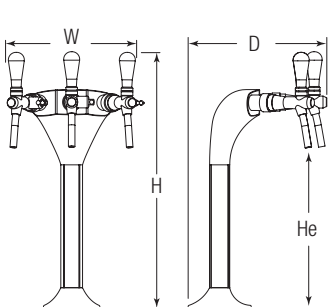
T1



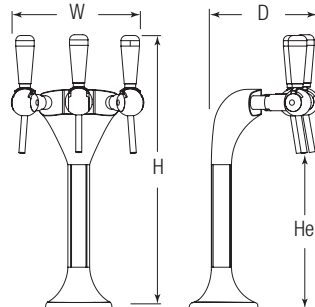
T3



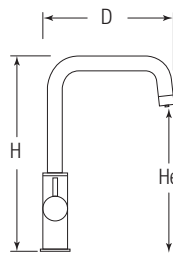
C3 A



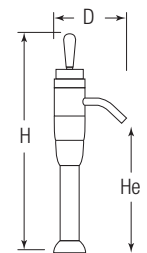
C3 P



T5



JOYSTICK





blupura

ALWAYS COOLER

Blupura S.r.l. - Via Volponi, 11 - 62019 Recanati (Mc) - Italy
Tel. +39 071 971 0080 - info@blupura.com

Blupura Usa - 1200 Brickell Ave, Suite 1950 - Miami (FL) 33131 - USA - Tel. +1 305 777 3591 - blupurausa@blupura.com
www.blupura.com

