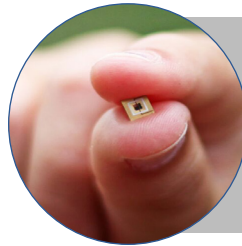


First UV-C LED Point of Entry Residential System



Utilizes powerful UV-C LEDs to provide chemical-free water treatment up to 45 lpm / 12 gpm.



- UV Intensity monitoring as standard.
- Instant on/off for intermittent flows.
- No hot water shot after no flow conditions.



- Low cost of ownership.
- Reduced energy consumption.
- Dynamic Power Control.



- 5-year lamp replacement interval.
- Reduced mineral fouling.
- No handling of fragile lamps and sleeves.

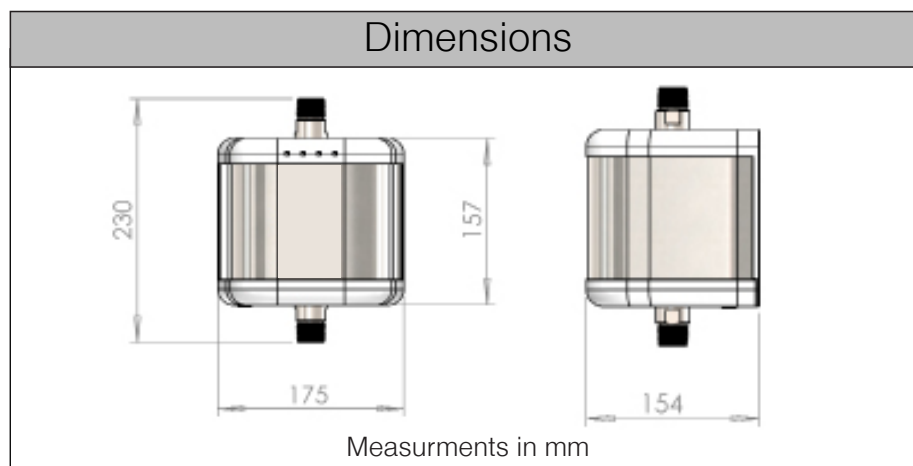


PearlAqua Deca is Tested and Certified by NSF International against NSF/ANSI REG4 for materials and structural integrity requirements.

NSF REG4 Product

System Specifications		
<i>Specifications provided as a guide. Specifications subject to change.</i>		
Product Name	PearlAqua Deca	
Model Number	24C4	
Max Flow [lpm (gpm)]	UV Dose 16 (mJ/cm ²) @ 98% UV-T	45 (12.0)
	30	25 (6.5)
	40	19 (5.0)
Headloss at Max Flow [bar (psi)]	0.3 (4.5)	
Inlet/Outlet Water Connection	3/4" MNPT	
Weight [kg (lbs)]	4.2 (9.3)	
Max Operating Pressure [bar (psi)]	8.3 (120)	
Environmental Protection	IP65	
Lamp Replacement Interval	60 months @ 2.5 hours/day [5,000 hours]	
Max Ambient Temperature [°C (°F)]	45 (113)	
Water Temperature [°C (°F)]	0-30 (32-86)	
Input Voltage [V DC]	24 [110/240 AC power supply included]	
Input Power (flow variable) [W]	160 (max)	

Unit designed to be used on domestic cold water supply only.



Full in-house optical, electrical, and mechanical design capabilities. ISO 9001:2015 certified manufacturing facility located in Kentucky, USA.