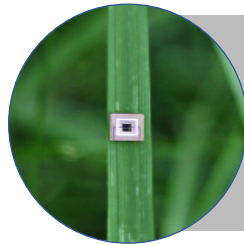


UV-C LED Disinfection



Utilizes powerful UV-C LEDs to provide water treatment at 12 lpm / 3.2 gpm.



Advanced patented design featuring UVinaire® LED module. Configurable for easy product integration.



Ideal for point of use applications with higher flow rates such as showers and soda machines.



Perfect for smaller point of entry applications including RVs, boats, and tiny houses.

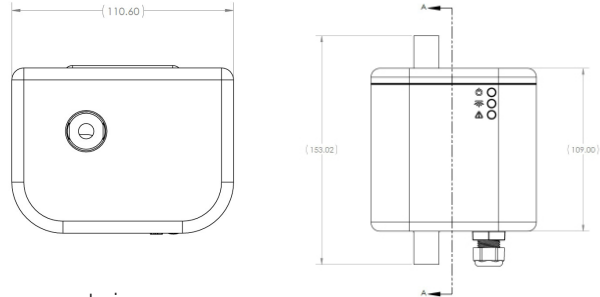


ISO 9001:2015 certified manufacturing facility located in Kentucky, USA.

Features		Included in Standard Unit*
Mercury Free	Low Power Consumption	Flow Sensor or Remote On/Off Signal
Remote Start/Stop	Unlimited On/Off Cycling	Power Supply
Instantaneous On	Thermal Monitoring	Case
Dynamic Power Control	Visual LED Indicators	UV Pulse Care™
Consistent Performance Across Water Temperature Range		

System Specifications		
<i>Specifications provided as a guide. Variations possible based on customer requirements.</i>		
Product Name	PearlAqua Deca	
Model Number	30C	30C No Flow Switch
Flow Rate [lpm (gpm)]	12 (3.2) ¹	
Minimum Flow Rate [lpm (gpm)]	2 (0.53)	
Headloss at 15 lpm [bar (psi)]	0.45 (6.58)	0.34 (5)
Weight [g (oz)]	545 (19.2)	500 (17.6)
Inlet/Outlet Water Connection	3/8" NPT or 3/8" BSPP	
Max Operating Pressure [bar (psi)]	8.3 (120)	
Environmental Protection	IP64	
Lamp Life [hours]	Max 10,000 Hours	
Ambient Temp Range [°C (°F)]	-10-45 (14-113)	
Fluid Temp Range [°C (°F)]	>0-35 (32-95)	
Remote On/Off Voltage [V DC] ²	5-24	
Input Voltage [V DC]	12-24 (110-240 VAC Power Supply)	
Max Power Draw [W]	40	

Notes
*These options come with the standard unit but can be removed
¹ Estimated at UV Dose of 30 mJ/cm ²
² Select 2 of the following output signal options
-Lifetime -Status
-Temperature -UV Intensity
Specifications provided as a guide. See operating manual for full details.
Specifications subject to change

Dimensions

measurements in mm