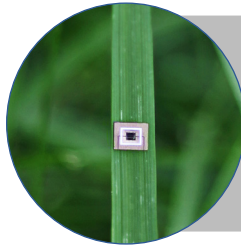


## World's Smallest UV System



Utilizes small, state of the art UV-C LEDs to provide pathogen reduction without the use of harmful chemicals or mercury-based UV lamps.



Advanced patented design featuring UVinaire® LED module. Highly configurable for easy product integration with continuous monitoring.



Full in-house optical, electrical, and mechanical design capabilities. ISO 9001:2015 certified manufacturing facility located in Kentucky, USA.

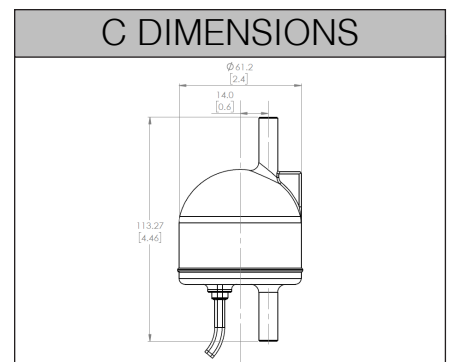
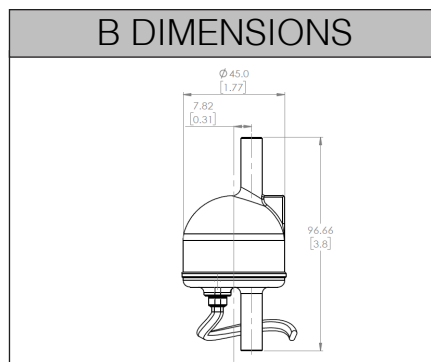


| FEATURES  |                          |
|---|--------------------------|
| Mercury Free  | Low Power Consumption    |
| Remote Start/Stop                                     | Unlimited On/Off Cycling |
| Instantaneous On                                      | Thermal Monitoring       |
| Consistent Performance Across Water Temperature Range |                          |

| OPTIONS                          |
|----------------------------------|
| UV Intensity Monitoring (C Only) |
| LED Status Output                |
| Power Cable Length and Connector |
| Mounting Bracket                 |

| SPECIFICATIONS   |                                  |                                  |            |            |                    |             |
|--|----------------------------------|----------------------------------|------------|------------|--------------------|-------------|
| <i>Specifications provided as a guide. Variations possible based on customer requirements.</i> |                                  |                                  |            |            |                    |             |
| Product Name   |                                  | PearlAqua Micro                  |            |            |                    |             |
| Model Number   |                                  | 3B                               | 6B         | 9C         | 12C                |             |
| Max Flow<br>[lpm (gpm)]  | UV Dose<br>(mJ/cm <sup>2</sup> ) | 10                               | 2.0 (0.5)  | 3.5 (0.9)  | 8.0 (2.1)          | 10.5 (2.77) |
|  |                                  | 16                               | 1.5 (0.4)  | 2.5 (0.66) | 7.0 (1.8)          | 9.5 (2.5)   |
|  |                                  | 40                               | 0.4 (0.11) | 1.0 (0.3)  | 2.5 (0.67)         | 3.75 (0.99) |
| *NSF55 Class B Flowrate <sup>1</sup> [lpm (gpm)]   |                                  | 1.0 (0.3)                        | 2.0 (0.5)  | 4.0 (1.06) | 5.5 (1.45)         |             |
| Headloss at Max Flow [mbar (psi)]  |                                  | 65 (0.9)                         | 165 (2.4)  | 407 (5.9)  | 917 (13)           |             |
| Inlet/Outlet Water Connection  |                                  | Male: 3/8"                       |            |            | Male: 3/8" or 1/2" |             |
| Weight [g (oz)]  |                                  | 77 (2.7)                         |            |            | 162 (5.7)          |             |
| Max Operating Pressure <sup>1</sup> [bar (psi)]  |                                  | 8.3 (120)                        |            |            |                    |             |
| Environmental Protection   |                                  | IP64                             |            |            |                    |             |
| Lamp Life <sup>2</sup> [hours]   |                                  | up to 10,000                     |            |            |                    |             |
| Max Ambient Temp [°C (°F)]   |                                  | 80 (176)                         |            |            |                    |             |
| Fluid Temperature [°C (°F)]  |                                  | 0-50 (32-122)                    |            |            | 0-45 (32-113)      |             |
| Electrical Connection  |                                  | 4-Core Cable, 150 mm (6") length |            |            |                    |             |
| Input Voltage <sup>1</sup> [V DC]  |                                  | 12                               |            |            |                    |             |
| Input Power <sup>2</sup> [W]   |                                  | 1.8-2.7                          | 3.6-5.3    | 7.4-10.2   | 9.3-13.8           |             |

| NOTES  |
|--|
| <sup>1</sup> 24V option available for all models.  |
| <sup>2</sup> Dependent on product configuration and application.   |
| *NSF certified model specifications may differ. Component is certified by IAPMO R&T to NSF/ANSI 55 Class B for material safety and structural integrity only. See manual and certificate for more details. |



Specifications subject to change.