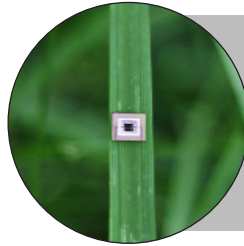
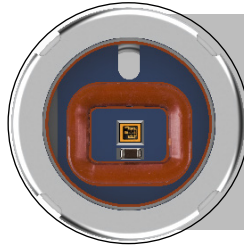


### True Point of Dispense UV Protection



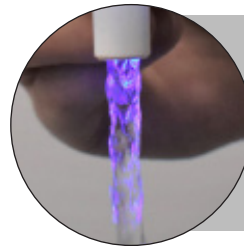
Utilizes powerful UV-C LEDs to provide water treatment<sup>1</sup> at 2 lpm / 0.5 gpm.



Advanced patented design featuring UVinaire® LED module. Configurable for easy product integration.



ISO 9001:2015 certified manufacturing facility located in Kentucky, USA.

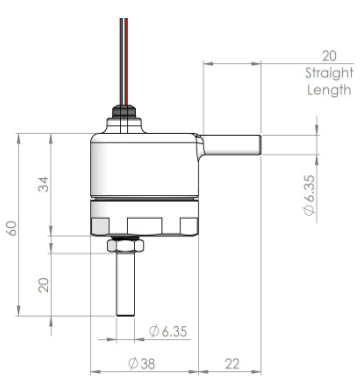


Ideal for point of dispense disinfection for water servers/dispensers. Optional blue LEDs indicate the water is being treated.

FEATURES		OPTIONS
Mercury Free	Low Power Consumption	Outlet Nozzle
Integrated LED Driver	Unlimited On/Off Cycling	Visible Blue LED
Instantaneous On	Ultra-low Footprint	Custom Electrical Connector
Consistent Performance Across Water Temperature Range		

SPECIFICATIONS		
<i>Specifications provided as a guide. Variations possible based on customer requirements.</i>		
Product Name	PearlAqua Micro	
Model Number	3A	6A
Disinfection Performance at 2 lpm <sup>1</sup>	16 mJ/cm <sup>2</sup>	30 mJ/cm <sup>2</sup>
Headloss at 2 lpm (psi)	3	
Inlet Water Connection	8mm barb with 20mm length or 1/4in straight with 22mm length	
Outlet Water Connection	1/8 NPTF	
Weight [g (oz)]	77 (2.7)	
Max Operating Pressure [bar (psi)]	2.0 (30)	
Environmental Protection	IP55	
Lamp Life <sup>2</sup> [hours]	≥ 2000	
Ambient Temp [°C (°F)]	0-45 (32-113)	
Fluid Temperature [°C (°F)]	0-30 (32-86)	
Electrical Connection	2 Wire, 26 AWG	
Input Voltage [V DC]	12	
Input Power [W]	8.5	

NOTES
<sup>1</sup> 3rd party bioassay tested with T1 Phage and E.coli at 98% UV-T with reference to 254 nm.
<sup>2</sup> Until 70% UV output. Dependent on product configuration and application.
Specifications subject to change.

DIMENSIONS
 <p>measurements in mm</p> <p>*Outlet nozzle not included in standard</p>