

EN

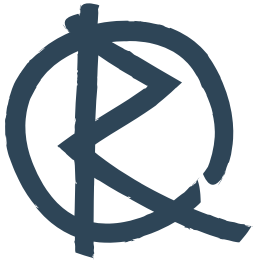


REBEL



blupura

ALWAYS COOLER



REBEL

30
lt/h

60
lt/h



Gas
R290



Ice
Bank



Energy
Saving



Portion
Control

ESSENTIAL, HIGHLY PERFORMING, AND HYPER FUNCTIONAL:
THE COUNTERTOP READY FOR ANYTHING, COMFORTABLE ANYWHERE.

Contemporary design, an “unconventional” look, and plenty of substance.
In the office, at the bar, at the restaurant... it is hard to resist its rebellious spirit!

The elegance of black on the outside, all the power of “pro-level” technologies on the inside, where there is also room for a filter and a disposable CO2 cylinder. An unprecedented balance of power, functionality, performance, and dimensions. A source full of energy to dispense a glass or a bottle of cold sparkling water, still water, and even hot water.





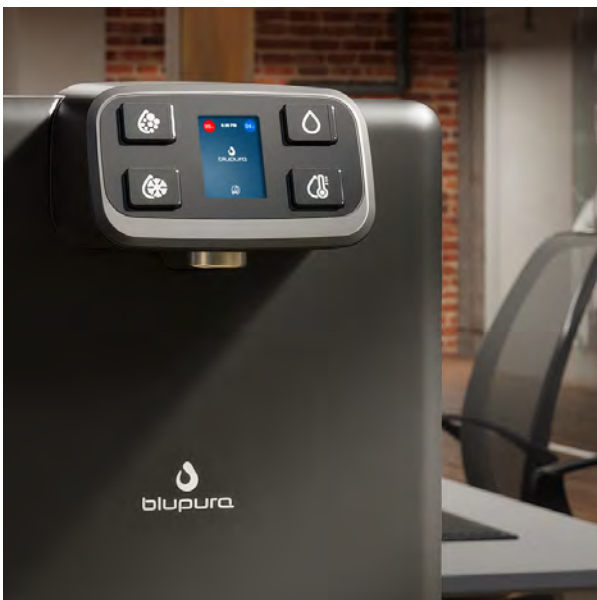
A powerful working partner

In Office and Hospitality applications, where performance matters, you can truly rely on Rebel. Its minimal style conceals professional and uncompromising technologies, like a powerful next-generation ice bank cooling system.



A very "hot" spirit

In addition to dispensing plenty of cold, still, or sparkling water, Rebel is just as efficient when you need hot water. In the SUPER HOT version, hot water is always available and dispensed up to 98°C, the ideal temperature for making tea or infusions.



Simplicity with a rebellious twist

Just take a look at Rebel's control area to understand its personality: only four backlit buttons for the four types of water ready to be dispensed, and easily recognizable at a glance... do you need anything else?



A revolutionary rationality



Being rebellious means challenging conventions. Like designing a compact water cooler inside which Blutron Micro/Shield 7K or Hero 10K for cold water are neatly paired with Blutron Ionic 0.4K for hot water in the SUPER HOT version, or with the CO₂ cylinder in the Fizz version.

Emissions saved



14.8kg


99°C 6:30 PM 04°C


Enjoy your water!

PLEASE WAIT

Cleaning and sanitizing in progress





40%



Step 1 of 6

Prepare the sanitizing cartridge with the appropriate product.

PRESS ANY BUTTON TO CONTINUE

< Scroll Confirm >

- Filter hot water
- Filter cold water
- Descaling
- Sanitization
- Exit

The Plus model is equipped with a display that shows green information during dispensing, signals any alerts, and provides various guides for the service technician, including: sanitization, descaling, and consumables replacement. Thanks to its integrated IoT, Rebel Plus is ready for remote management and monitoring, offering an advanced, efficient, and connected user experience.



Natural Gas

An environmentally friendly choice, with the benefit of a more silent compressor.

The dispensing area is more than 30 cm high, enabling the placement of bottles and flasks.

Special drip tray with black finish and silver-colored design grid.





Fizz



Medium



Ambient



Cold



Hot



Portion Control



Dispensing area



Weight



Dimensions

	Lt./h	Fizz	Medium	Ambient	Cold	Hot	Portion Control	Dispensing area	Weight [kg]	Dimensions W x D x H [mm]
Rebel 30	30			•	•		Optional	305	22,8	264 x 576 x 460
Rebel 30 Fizz	30	•	•	•	•		Optional	305	23,8	264 x 576 x 460
Rebel Super Hot 30	30			•	•	•		305	24,8	264 x 576 x 460
Rebel Super Hot 30 Fizz	30	•		•	•	•		305	24,8	264 x 576 x 460
Rebel Plus 30	30			•	•		Optional	305	23,8	264 x 576 x 460
Rebel Plus 30 Fizz	30	•	•	•	•		Optional	305	23,8	264 x 576 x 460
Rebel Plus Super Hot 30	30			•	•	•		305	23,8	264 x 576 x 460
Rebel Plus Super Hot 30 Fizz	30	•		•	•	•		305	23,8	264 x 576 x 460
Rebel 60	60			•	•		Optional	365	26	321 x 600 x 492
Rebel 60 Fizz	60	•	•	•	•		Optional	365	27,5	321 x 600 x 492
Rebel Super Hot 60	60			•	•	•		365	28	321 x 600 x 492
Rebel Super Hot 60 Fizz	60	•		•	•	•		365	29	321 x 600 x 492

OPTIONAL EXTRAS

In-line filters	<p>Blutron Micro 7K + Blutron Head Built-in or Hero 10K + Blutron Head Built-In or Blutron Shield 7K + Blutron Head Built-in</p>	<p>Water pressure reducer</p>
	<p>Blutron Ionic 0.4K + Blutron Ionic Head Built-in</p>	
UVC Led In	<p>UVC Led In</p>	<p>CO₂ pressure reducer with 1 pressure gauge (only for Fizz models)</p>
Outlet filters	<p>Blufire</p>	<p>Disposable CO₂ cylinder</p>
	<p>UVC Led OUT</p>	<p>Incremental digital litre-counter 6000R or Decremental digital litre-counter 8000T</p>
	<p>Nano Silver Pipe</p>	<p>Rebel Cabinet</p>
Other	<p>Bluprotection</p>	<p>5 Lt. tank with re-fill alarm (can be combined with Rebel Cabinet)</p>

Given its commitment to continuous technological development, Blupura reserves the right to enhance or modify the products shown in this catalogue without prior notice.

TECHNICAL
PROFILE

Rebel 30 Fizz
Rebel Plus 30 Fizz

Rebel Super Hot 30 Fizz
Rebel Plus Super Hot 30 Fizz

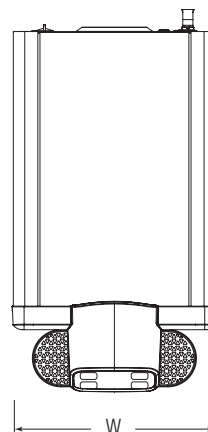
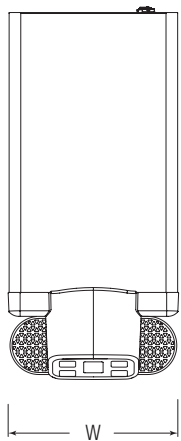
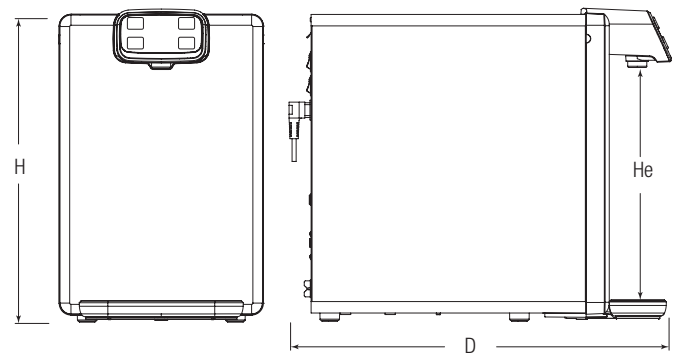
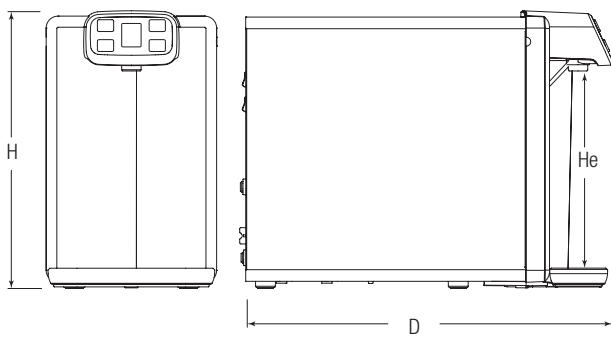
Rebel 60 Fizz

Rebel Super Hot 60 Fizz

Cooling capacity [Lt/h.]	30	30	60	60
Power supply	230 V - 50 Hz	230 V - 50 Hz	230 V - 50 Hz	230 V - 50 Hz
Pump	Membrane carbonation pump	Membrane carbonation pump	Membrane carbonation pump	Membrane carbonation pump
Cooling technology	Ice Bank Single Stainless Steel coil	Ice Bank Single Stainless Steel coil	Ice Bank Single Stainless Steel coil	Ice Bank Single Stainless Steel coil
Ice Bank capacity [Lt]	4,5	4,5	19	19
Ice Bank [Kg]	2	2	8	8
Condensation	Ventilated Condensation	Ventilated Condensation	Ventilated Condensation	Ventilated Condensation
Max. hot water temperature	-	96°C +/-2%	-	96°C +/-2%
Hot water tank [Lt.]	-	1	-	1
Power consumption [W]	300	1320	300	1320
Max. absorption [A]	1,55	6	1,55	6
Materials	Parts in ABS plastic and black painted galvanized sheet metal	Parts in ABS plastic and black painted galvanized sheet metal	Parts in ABS plastic and black painted galvanized sheet metal	Parts in ABS plastic and black painted galvanized sheet metal

Rebel 30 - Rebel Plus 30

Rebel 60





blupura

ALWAYS COOLER

Blupura S.r.l. - Via Volponi, 11 - 62019 Recanati (Mc) - Italy
Tel. +39 071 971 0080 - info@blupura.com

Blupura Usa - 1200 Brickell Ave, Suite 1950 - Miami (FL) 33131 - USA - Tel. +1 305 777 3591 - blupurausa@blupura.com
www.blupura.com

